

クレンジングフット

Clean foot

《Device of spraying chemicals for automobile》

For passenger cars

Installation manual

Please read first

「走る」を支え、環境と未来をひらく

ISUZU

Higashi Hokkaido Isuzu Motors Co., Ltd.

Greeting

Thank you for purchasing the device of spraying chemicals for automobile [Clean foot].

This manual describes the points to be checked, work procedures and precautions in the installation of the device.

Please read this manual and understand the contents well before starting work.

About guarantee

Quality assurance of each part of the kit is done by Higashi Hokkaido Isuzu Motors Corporation. For defects in the manufacture (and installation) of kit parts, we will exchange free of charge for one year after the purchase of the kit.

(Please quality assurance related to the installation work is carried out at the place that was done it.

If damage, pollution, quality degradation of each part is caused by installation work, please exchange parts at the place where the work was carried out.)

Explanation to users

As for the explanation of the device to user, hand over the enclosed installation manual, please understand the contents beforehand and explain it.

Please explain how to use and the installation position.

In addition, to improve quality and performance, we may use other parts.

In that case, please understand that it may differ from the contents of this manual partly.

1. Introduction	1
2. Contents	2
3. Device Outline	3
4. Install procedure		
4-1 Determination of installation points	4
4-2 Installation of tank stand	4
4-3 Installation of spray nozzle	5
4-4 Piping of tube	7
4-5 Installation of switch	8
4-6 Electrical wiring	8
5. Precaution for use	9

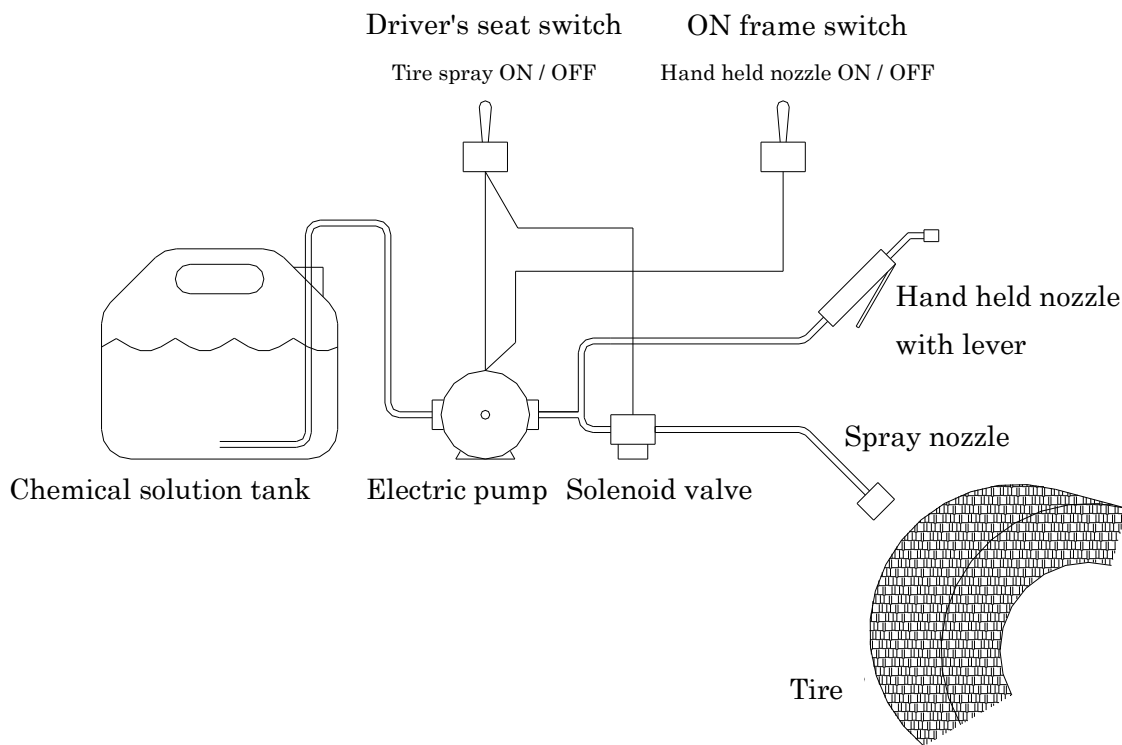
3. Device Outline

3-1 Features of the device

This device can spray the chemical liquid to each tire by simply operating the switch while sitting the driver's seat and slightly moving the car.

Weight is approx. 30 kilograms including equipment, chemicals and brackets.

3-2 Component of the device



4-1 Determination of installation points

We recommend that you consider **the tank position** easy to use together with the user and decide where to install.

4-2 Installation of tank stand

Please secure the necessary space such as the cargo space and set the tank stand. When there is a risk of falling it, fix it to the vehicle.

Attention to installation point

※Please install a tank so that there are no obstacles when you put chemical liquid.



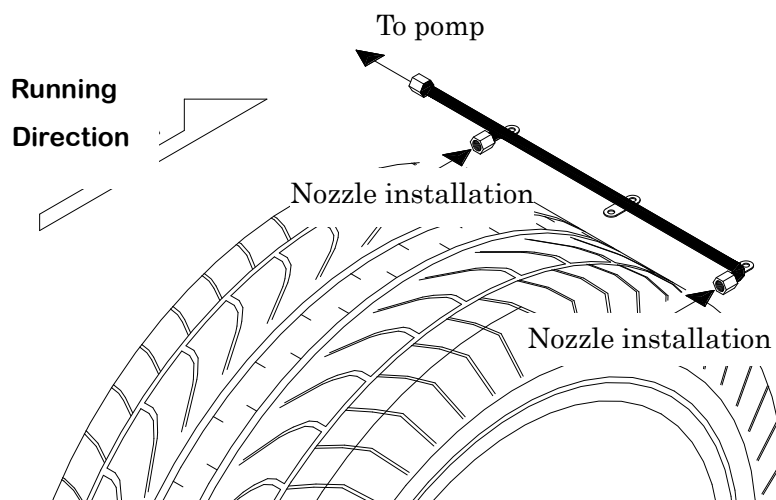
Note

The tank's weight will be approx. 30 kg with the chemical solution full. Please fix with sufficient strength so that there is no danger of falling.

4-3 Installation of spray nozzle

Install a special nozzle holder as shown below.

- The nozzle holder can be bent by hand. Please bend according to the shape inside the tire house.
- ※Do not bend nozzle holder rapidly or fold many times as it will lead to damage
 - For the right side tire (2 pieces) and the left side tire (2 pieces), there are a total of 4 nozzle holders. Please refer to the figure below and make sure there are no mistakes.



Bolt fixing of nozzle holder

Metal fittings of bolt fixing is enclosed two types as follows. Please use the fit one.

If the installation point is made of resin

→ Please use board fastener



Drilling of 9 mm is required.

If the installation point is made of metal

→ Please use the rivet nut



Drilling of 7 mm is required.

A special tool (riveter) is required.

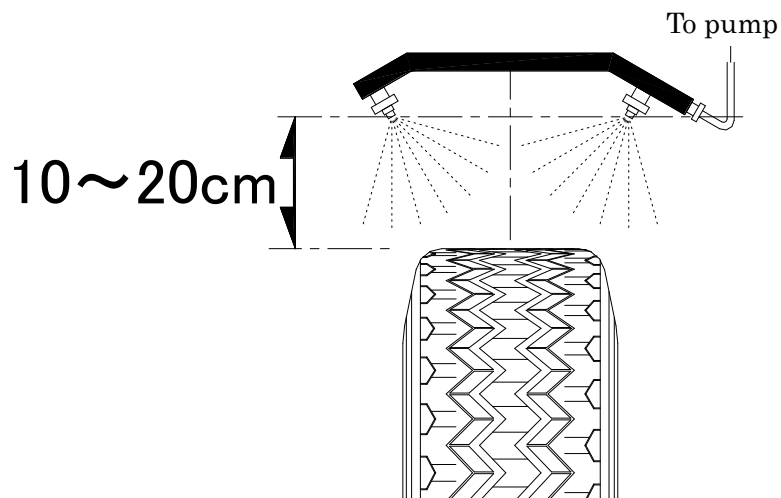


4. Install procedure

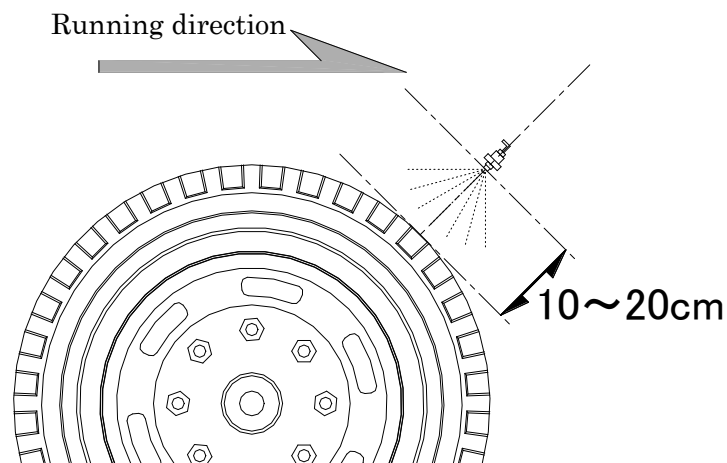
Best nozzle installation position is as follows.

In accordance with your car, please select the nozzle installation position as same as possible to the figure below.

1. Please spray from fender side to the tread surface of the tire.



2. Please spray to the front of the tire.



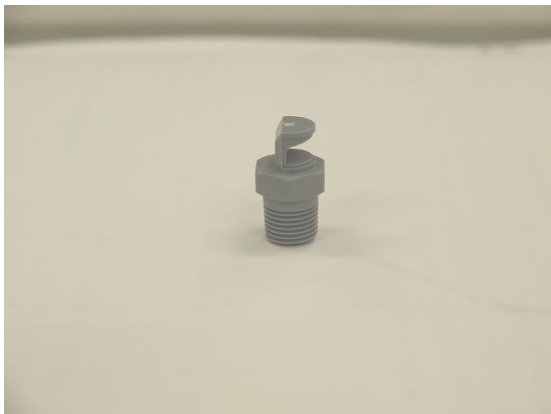
Important When the nozzle direction or the installation position is not good, mud flows back to the spray port, and then it will lead to clogged the nozzle and cause to lower of the spray capacity.

4. Install procedure

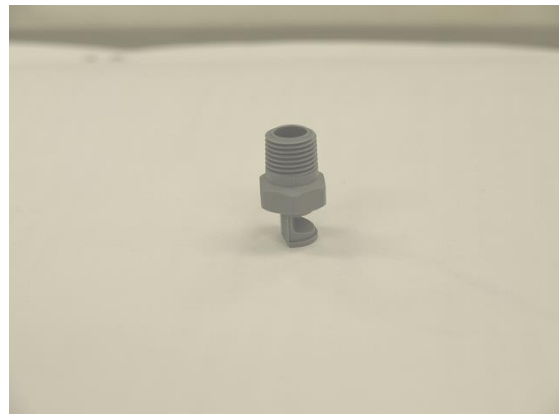
Reference example for nozzle installation



Direction of nozzle



Bad

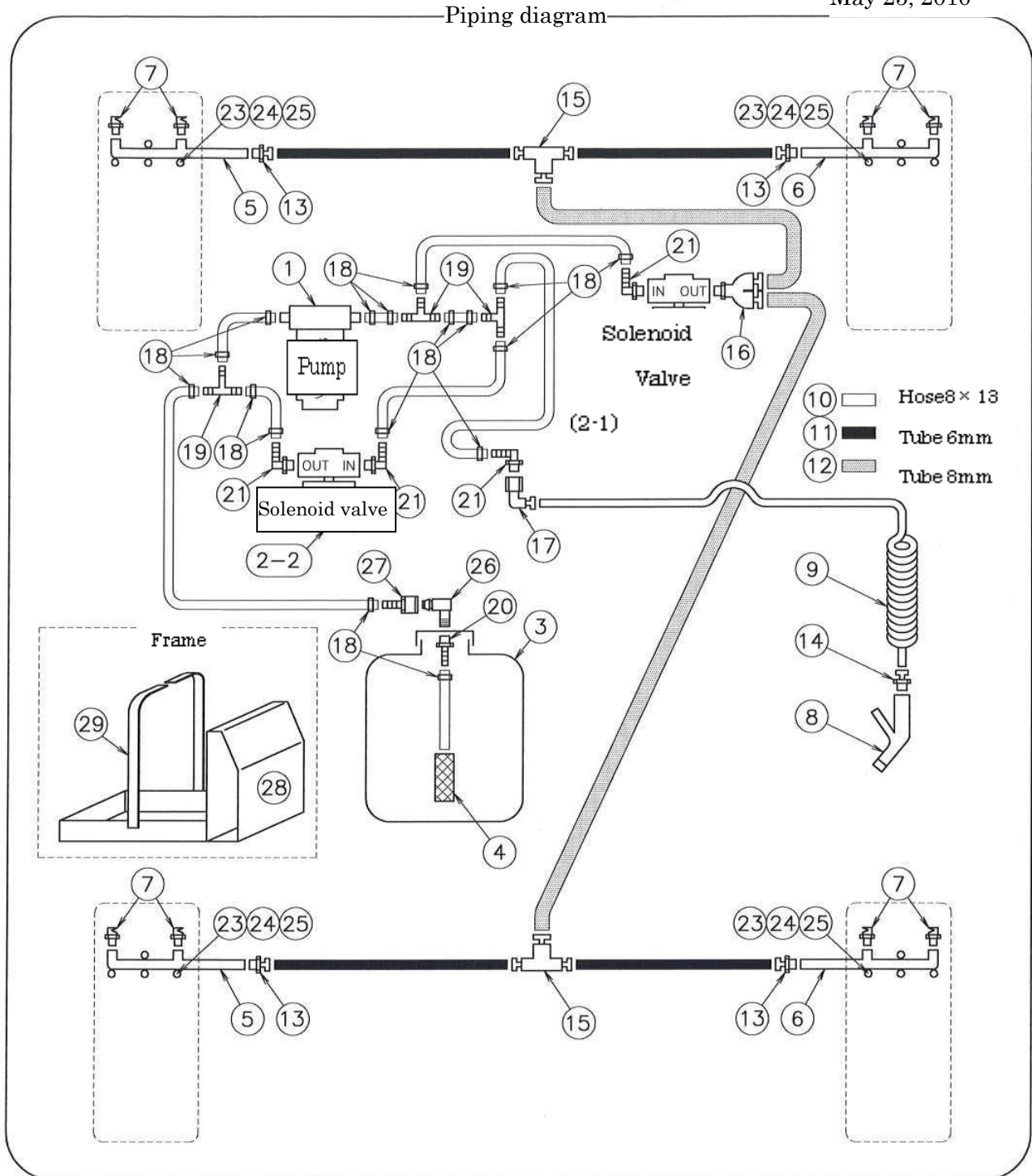


Good

4. Install procedure

4-4 Tube piping

May 25, 2010



4. Install procedure

4-5 Installation the Switch

1. Install the power switch in a position such as follows.

Where it can be operated from driver's seat.

Where it does not touch carelessly.

Where does not interfere with driving

4-6 Electrical wiring

1. Power supply (DC 12 V) need to be taken from 2 places.

① As much as possible, take the power supply of the driver's seat side switch from the accessory terminal (ACC).

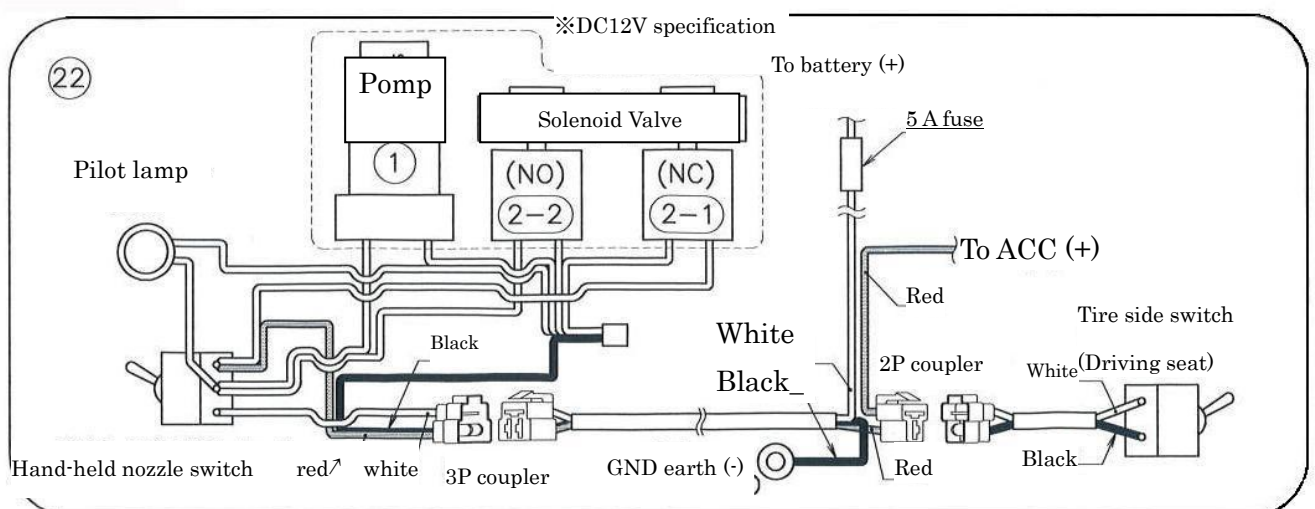
(Even if you forget to turn off the switch, connect the power supply so that the power is turned off when the engine key is turned off.)

② This product is easier to use if you take the power of the hand-held nozzle switch (on the tank bracket) from the power supply which is always passing electricity.

Important The idling of the pump shortens its life.

2. Please take GND earth from the car body.
3. Please fix the wiring firmly with the enclosed cable tie not to interfere with other equipment of your car.

Wiring diagram



For winter season

This device cannot be used if there is possibility of chemical liquid freezing.

In order to use this device for a long time, we recommend that anti-freeze measures be taken during the winter by referring to the following procedure.

Procedure for anti-freeze measures

- ① Put the antifreeze liquid(Wind washer liquid etc.) into the tank instead of the chemical solution, let it spray for a few seconds, and let the antifreeze liquid through the piping.
- ② Remove the spray nozzle with the installation bracket.
- ③ At an appropriate position, remove the hose connected to the spray nozzle. (Including hose barb nipples or screw-in position etc., please remove from an easy-removed position.)
- ④ Please plug the end of the removed hose with vinyl tape etc. so that dust will not be entered. Please tie the hoses and fix it firmly to the car body.
- ⑤ Please clean and store the parts such as nozzles that you removed.

Throughout the work, please be careful not to disturb the running of your car with removed parts or hoses.

Higashi Hokkaido Isuzu Motors Corporation
Environment Division

080-2460 Obihiro City West 20 North 1 - chome 3 No. 2

TEL (0155) 58-1211 FAX (0155) 58-1232
